

NJR, VJR – VENTILATION GRILLES FOR EXTERNAL INSTALLATION



NJR

Description

- Designed for fresh air inlet and exhaust air discharge in the ventilation and air-conditioning installations.

Construction

- Grilles are constructed of galvanized metal sheets with (fig. 1) or without (fig. 2) aluminium frame (-AL). Insect net installation is possible on customer's request (+IN).
- Powder coated in RAL 9010 colour as a standard, painting in all RAL colours is available on customer's request.

Installation

- For direct installation on the air duct without frame, or to the building element - with frame.

Accessories

- Insect net (+IN)

VJR

Description

- Designed for fresh air inlet and exhaust air discharge in the ventilation and air-conditioning installations.

Construction

- Constructed of special aluminium profiles. Grille is fixed to the frame with reamers and hinges thus allowing easy opening for revision and filter replacement.
- Powder coated in RAL 9010 colour as a standard, painting in all RAL colours is available on customer's request.

Installation

- For installation on a building element, direct to the air duct or with plenum box.

Accessories

- Filter (+F)
- Multiblade damper (+M)
- Back draft shutter (+D)
- Plenum box (+K)

NJR – Overall and joined dimensions

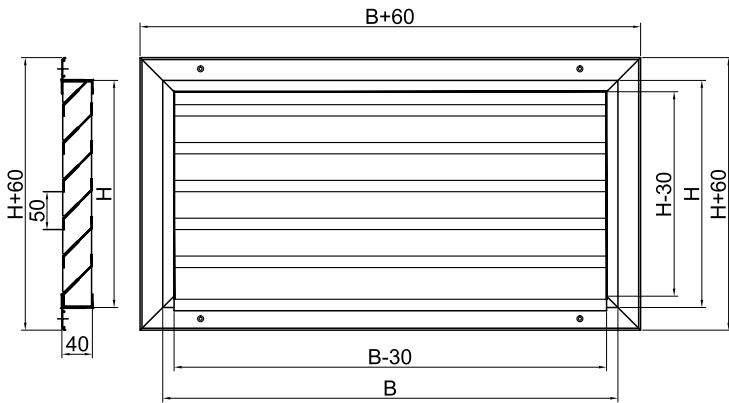


Figure 1



Figure 2

Standard dimensions

H [mm]	500	600	800	1000
--------	-----	-----	-----	------

B [mm]	200	300	400	500	600	800	1000
--------	-----	-----	-----	-----	-----	-----	------

Note: Production of grilles with different dimensions is possible on customer's request.

NJR – Pressure drop [Pa]

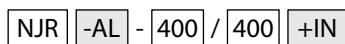
W_0 [m/s]	0.5	1.0	1.5	2.0	2.5	3.0	3.5	4.0
ΔP_1 [Pa]	1.6	5.4	10.8	22.5	36.0	50.0	69.0	82.0
ΔP_2 [Pa]	2.0	6.0	12.6	25.0	40.0	55.0	76.0	98.0

W_0 [m/s] – velocity in the free cross section, m/s.

ΔP_1 [Pa] – without insect net

ΔP_2 [Pa] – with insect net, Pa.

NJR – Order designation



+IN – IN – insect net

Joined height

Joined width

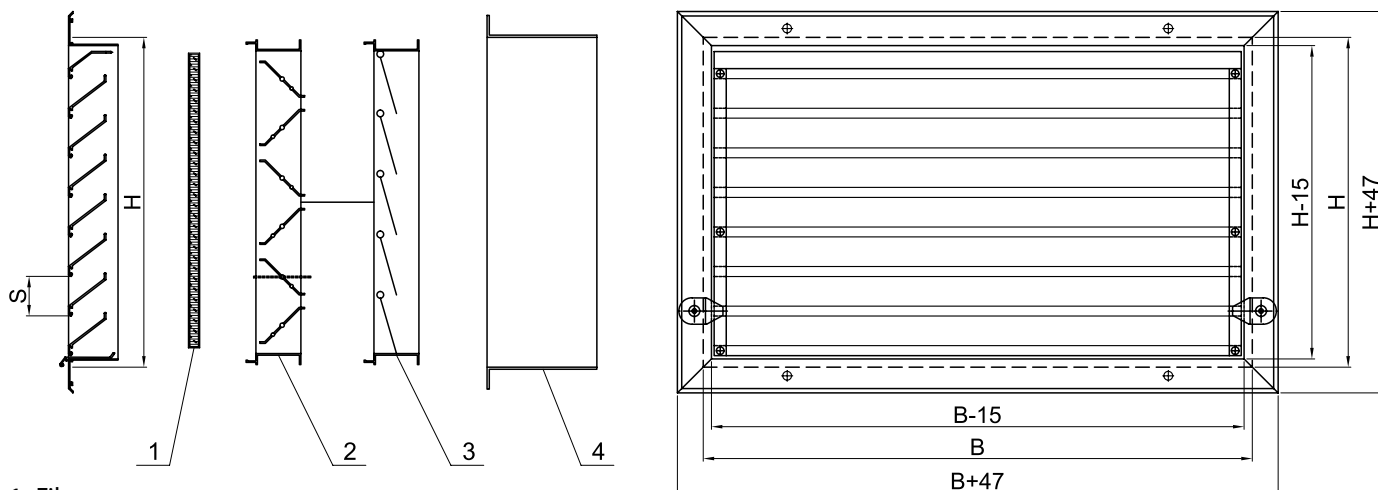
-AL – aluminium frame

External air intake grille with immovable blades

- Main parameters

- Optional parameters

VJR – Overall and joined dimensions



- 1. Filter
- 2. Multi blade damper
- 3. Back draft shutter
- 4. Plenum box

Standard dimensions

H [mm]	400	500	600	700	800	1000	1200		
B [mm]	200	250	300	350	400	500	600	800	1000

Note: Production of grilles with different dimensions is possible on customer's request.

VJR – Pressure drop [Pa]

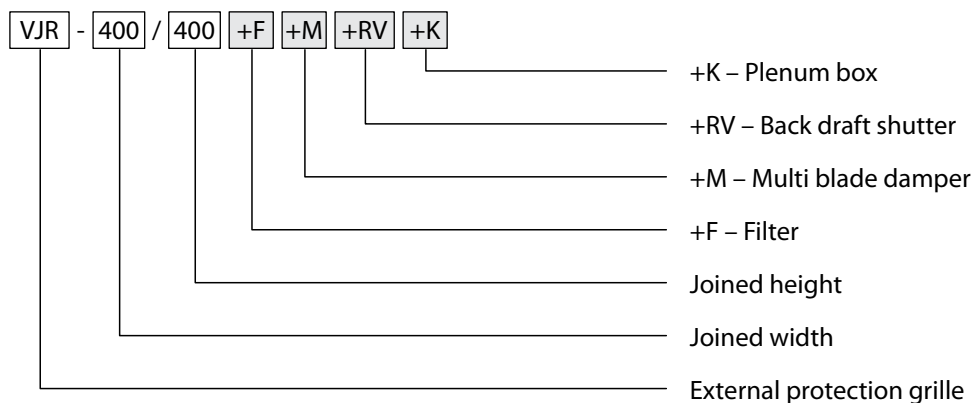
W ₀ [m/s]	1.0	1.5	2.0	2.5	3.0	3.5	4.0	4.5	5.0	5.5	6.0
ΔP ₁ [Pa]	3.8	9.5	15.0	24.7	36.1	48.6	62.7	80.0	102.5	127.3	155.8
ΔP ₂ [Pa]	9.5	19.0	31.4	50.0	71.5	91.2	115.9	142.5	173.5	201.4	235.6

W₀ [m/s] – velocity in the free cross section, m/s.

ΔP₁ [Pa] – without filter, Pa.

ΔP₂ [Pa] – with filter, Pa.

VJR – Order designation



- Main parameters
- Optional parameters