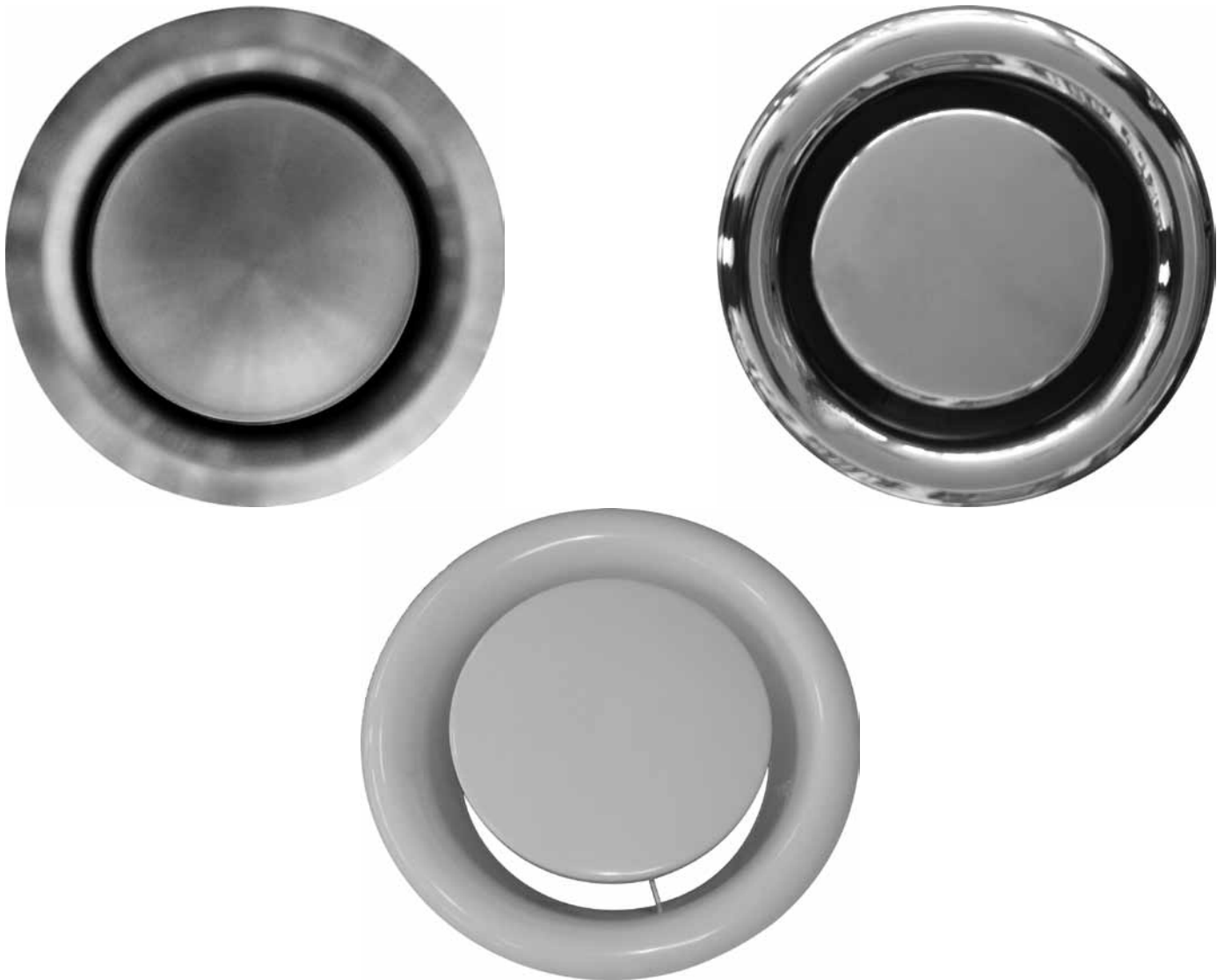


SR – EXTRACTION VALVES



Description

- Designed for extraction of exhaust air often from sanitary and small storage rooms.

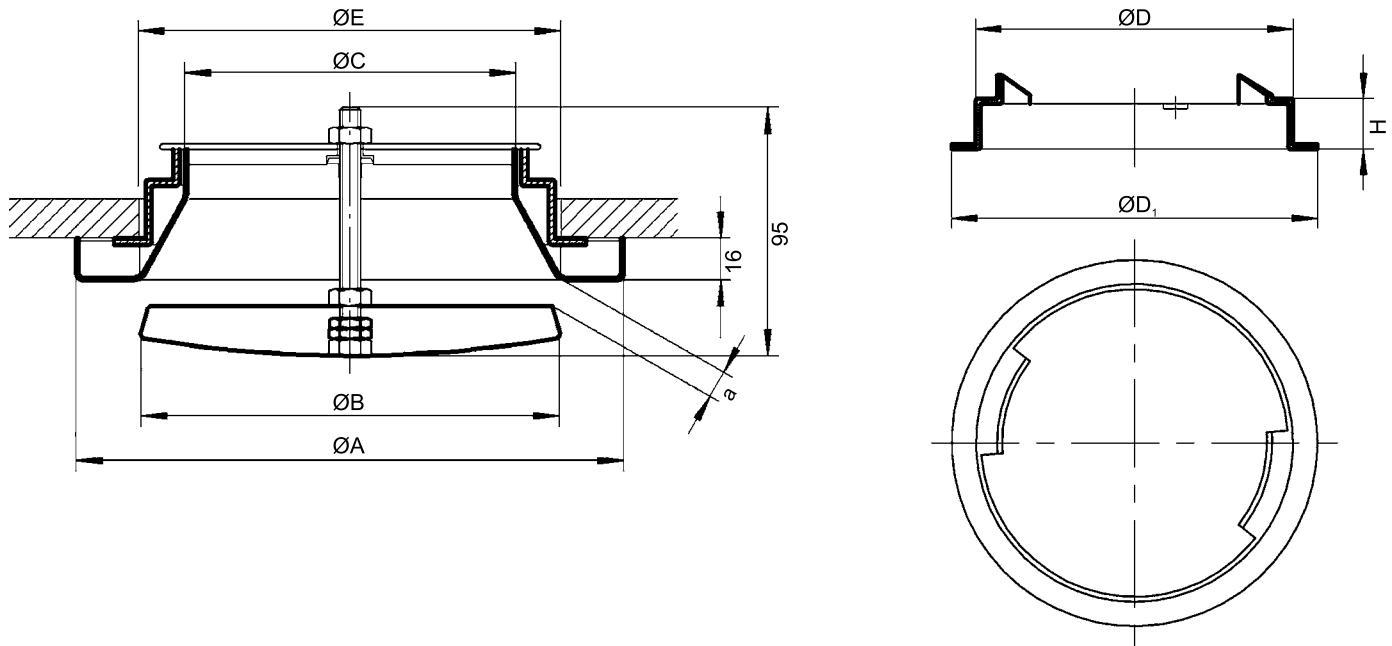
Construction

- Constructed of galvanized or stainless (polished or mat) metal sheets. Air flow can be regulated with a rotation of a central disc, fixed to the base with a central screw.

Installation

- For installation on a false ceiling with a mounting ring and flexible duct or directly to the air duct.
- The mounting ring is delivered with the extraction valve.

Overall and joined dimensions



Model	$\varnothing A$ [mm]	$\varnothing B$ [mm]	$\varnothing C$ [mm]	$\varnothing E$ [mm]	$\varnothing D$ [mm]	$\varnothing D_1$ [mm]	H [mm]
100	135	75	65	105	97	125	45
125	165	95	90	130	122	150	45
150	200	115	115	155	147	175	45
160	210	125	125	165	157	185	45
200	250	155	165	205	197	225	45

Air flow V [m³/h], pressure drop ΔP [Pa] noise level L [dB(A)]

Model	a [mm]	V [m ³ /h]	50	100	150	200	300	400	500
100	5	ΔP [Pa]	65	-	-	-	-	-	-
		L [dB(A)]	42						
	10	ΔP [Pa]	40	170	-	-	-	-	-
		L [dB(A)]	37	53					
	15	ΔP [Pa]	32	125	-	-	-	-	-
		L [dB(A)]	34	48					
20	ΔP [Pa]	27	100	-	-	-	-	-	
	L [dB(A)]	30	45						
125	5	ΔP [Pa]	63	-	-	-	-	-	-
		L [dB(A)]	39						
	10	ΔP [Pa]	39	162	-	-	-	-	-
		L [dB(A)]	36	51					
	15	ΔP [Pa]	30	118	-	-	-	-	-
		L [dB(A)]	33	46					
	20	ΔP [Pa]	25	96	-	-	-	-	-
		L [dB(A)]	29	41					

Air flow V [m³/h], pressure drop ΔP [Pa] noise level L [dB(A)]

Model	a [mm]	V [m ³ /h]	50	100	150	200	300	400	500
150 160	5	ΔP [Pa]	20	79	169	-	-	-	-
		L [dB(A)]	24	41	53				
	10	ΔP [Pa]	-	29	68	120	-	-	-
		L [dB(A)]		30	40	47			
	15	ΔP [Pa]	-	17	38	65	148	-	-
		L [dB(A)]		23	33	40	51		
20	ΔP [Pa]	-	12	25	44	99	168	-	
	L [dB(A)]		20	28	35	46	52		
200	5	ΔP [Pa]	7	25	59	98	230	-	-
		L [dB(A)]	26	38	46	51	60		
	10	ΔP [Pa]	-	8	17	33	71	129	198
		L [dB(A)]		28	37	43	49	56	60
	15	ΔP [Pa]	-	-	9	17	38	67	99
		L [dB(A)]			30	36	44	51	54
	20	ΔP [Pa]	-	-	6	10	23	40	61
		L [dB(A)]			24	31	39	46	51

Order designation

