

TSA – DUCT TYPE SOUND ATTENUATORS



Description

- Designed to decrease noise levels on the ducts in ventilation and air-conditioning installations.
- Combustibility – class 0.

Construction

- Corpus made of galvanized metal sheets with double sided installed flanges and connectors.
- Sound absorbing material of fiber-glass plates, protected with glass material, fixed with safety grille of galvanized metal sheets.

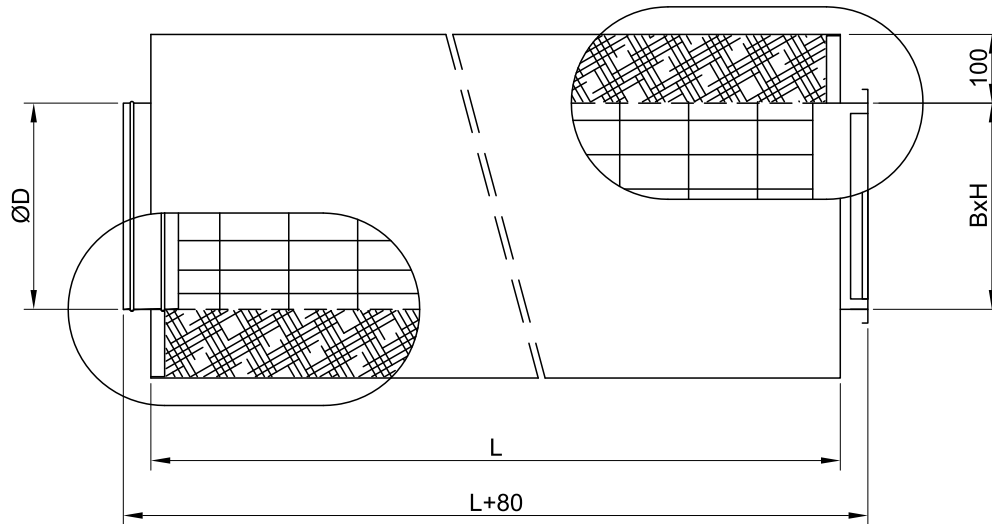
• Modifications

- **TSA-R** – air duct with rectangular section and round connector. Standard lengths – 600 and 1000 mm.
- **TSA-S** – air duct with rectangular section and rectangular flange. Standard length – 1000 mm.

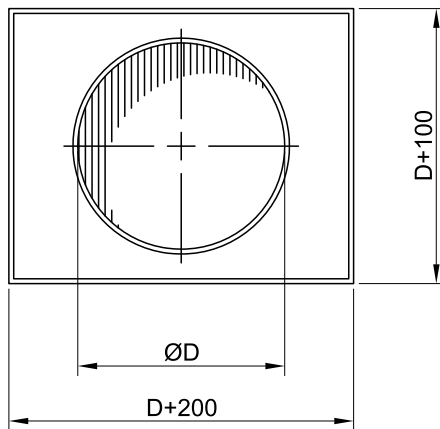
Installation

- Construction allows incorporation in the air duct system with flange connection (for TSS-S – rectangular flange) and direct joining to round air ducts or with flexible connectors (for TSA-R with round connector).

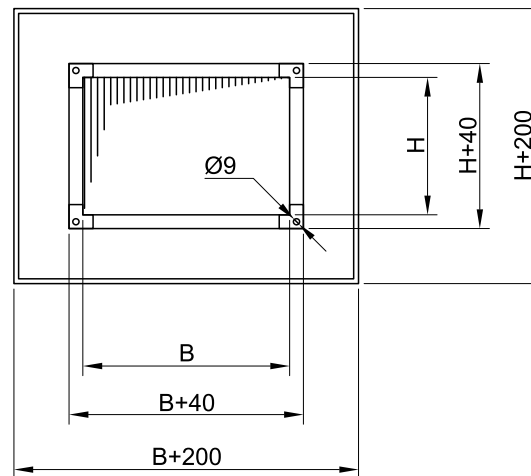
Technical characteristics



TSA-R



TSA-S



TSA-R – duct sound attenuator with round connector

L	Typesize	ØD [mm]	Weight [kg]	Noise level reduction [dB] by frequency bands Hz							
				63	125	250	500	1000	2000	4000	8000
Length L = 600	TSA-R Ø100	100	10.4	7	9	13	19	24	30	29	20
	TSA-R Ø125	125	11.5	6	8	12	18	22	27	25	17
	TSA-R Ø160	160	13.2	5	7	10	17	20	24	21	14
	TSA-R Ø200	200	14.9	4	6	9	15	18	22	18	13
	TSA-R Ø250	250	17.2	4	5	8	13	17	20	17	12
	TSA-R Ø315	315	19.9	3	4	7	11	16	17	14	10
Length L = 1000	TSA-R Ø100	100	14.7	12	17	25	35	38	37	34	32
	TSA-R Ø125	125	16.1	11	16	24	34	36	35	30	28
	TSA-R Ø160	160	18.7	10	12	17	27	33	32	28	26
	TSA-R Ø200	200	21.3	9	11	16	26	31	30	25	22
	TSA-R Ø250	250	24.6	7	10	13	23	28	28	20	17
	TSA-R Ø315	315	28.7	6	9	11	18	26	27	18	15

TSA-S – duct sound attenuator with rectangular connector L=1000 mm

L	Typesize TSA-S B/H	B [mm]	H [mm]	Weight [kg]	Noise level reduction [dB] by frequency bands [Hz]							
					63	125	250	500	1000	2000	4000	8000
Length L = 1000	TSA-S B/200	200	200	25.8	7	9	14	22	28	26	20	18
		300	200	29.3	5	6	12	21	26	24	18	16
		400	200	32.8	4	4	11	18	24	22	16	13
		500	200	36.3	3	4	8	15	20	18	14	14
	TSA-S B/250	250	250	29.3	5	6	12	21	26	24	18	16
		300	250	31.0	4	5	11	19	24	22	16	13
		400	250	34.5	3	5	9	17	22	20	14	11
		500	250	38.0	3	4	8	15	20	18	13	9
	TSA-S B/300	300	300	32.8	4	6	9	17	25	24	16	14
		400	300	36.3	3	5	8	15	22	21	14	11
		500	300	39.8	3	4	8	14	20	18	12	8

Pressure drop ΔP [Pa]

Sound attenuator with round connector TSA-R and length L=1000 mm

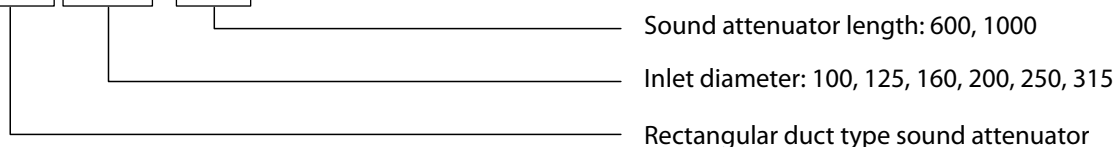
Air flow [m³/h]	Diameter [mm]	Φ100	Φ125	Φ160	Φ200	Φ250	Φ315
	100		4				
200		15	5				
300		33	12	4			
400			22	7	3		
500				12	4		
600				17	6	2	
800					11	4	
1000					17	6	2
1200					24	8	3
1500						13	5
2000						23	9
2500							14

Note: o For sound attenuators with rectangular flange, type TSA-S equivalent diameter and the same table is used.

Order designation

Sound attenuators type TSA-R:

TSA-R Ø200 - 1000



Sound attenuators type TSA-S:

TSA-S 400 / 250

