

BA-E – ELECTRIC AIR HEATERS



Description

- Electric air heaters are designed for local air heating of premises with general use.
- Designed to work with clean air, without inflammable or explosion-risk mixtures.

Construction

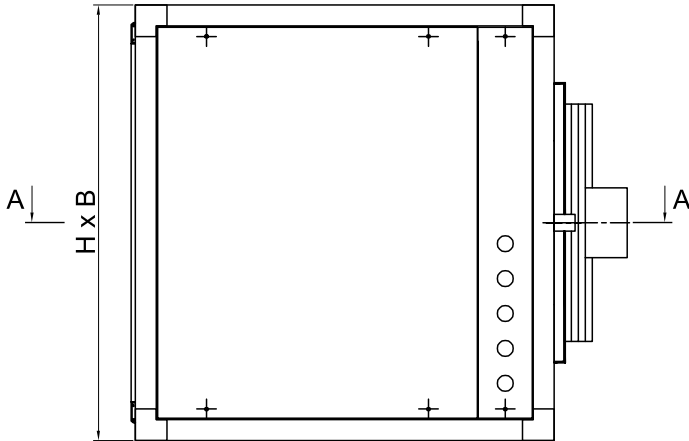
- Air heaters are compact units. They are built of the following elements:
- Axial fan with motor – electric supply 220V/50Hz, protection class IP55 or IP65 (upon request).
- Heating water coil – electric duct heater, consisting of battery of electric heaters (covered type). Heating capacity is divided on three steps from 3kW to 6kW. Thermostat is provided to prevent overheating. Electric supply 380V/50Hz.

- Housing – supporting frame made of anodized aluminum profiles. Closed with panels of galvanized sheet steel, double anti-corrosion protected with powder coating. In the front side is mounted ventilation grill for air stream direction control in working area. Possible to be assembled with one of the following types of grilles: CBP-X or W/S (grilles with movable lamellas – winter/ with air stream direction control – summer)
- Protection class – class “First” BDS 2099/1-90

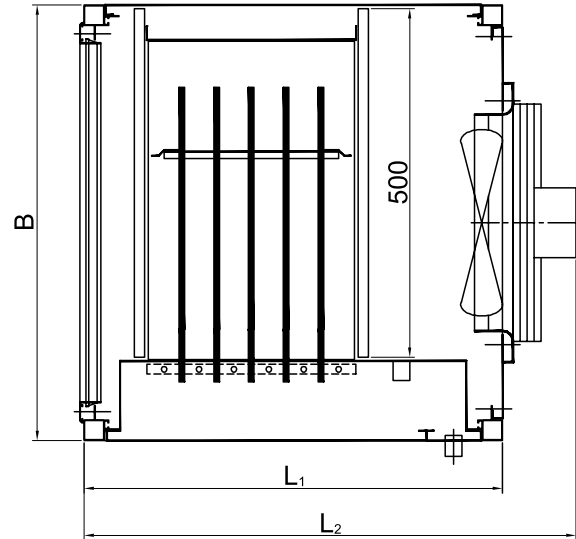
Options

- On customers request electric air heaters can be equipped with control panel (electrical board).

Overall and joined dimensions



Service side - electric heater



section A-A

Technical data

Model	Q _{heat} [kW]	V [m ³ /h]	N _{El.} [W]	Dimensions [mm]			
				B	H	L ₁	L ₂
BA-E-9/600	9	600	45	500	500	600	710
BA-E-15/1200	15	1200	110	624	624	600	770
BA-E-18/1800	18	1800	245	624	624	650	820
BA-E-24/2400	24	2400	340	624	624	750	920

Order designation

