

SINGLE INLET CENTRIFUGAL FAN WITH FORWARD CURVED IMPELLER



Description

- APM and APT are series of single inlet direct-drive centrifugal fans.
- Impeller type A with forward blades is used. The shape of the blades make them suitable for conveying clean air containing dust not exceeding 10 mg/m³.
- The impellers are statically and dynamically balanced.

Construction

- The fan casing and steps are produced from galvanized metal sheet with powder coating.

Accessories

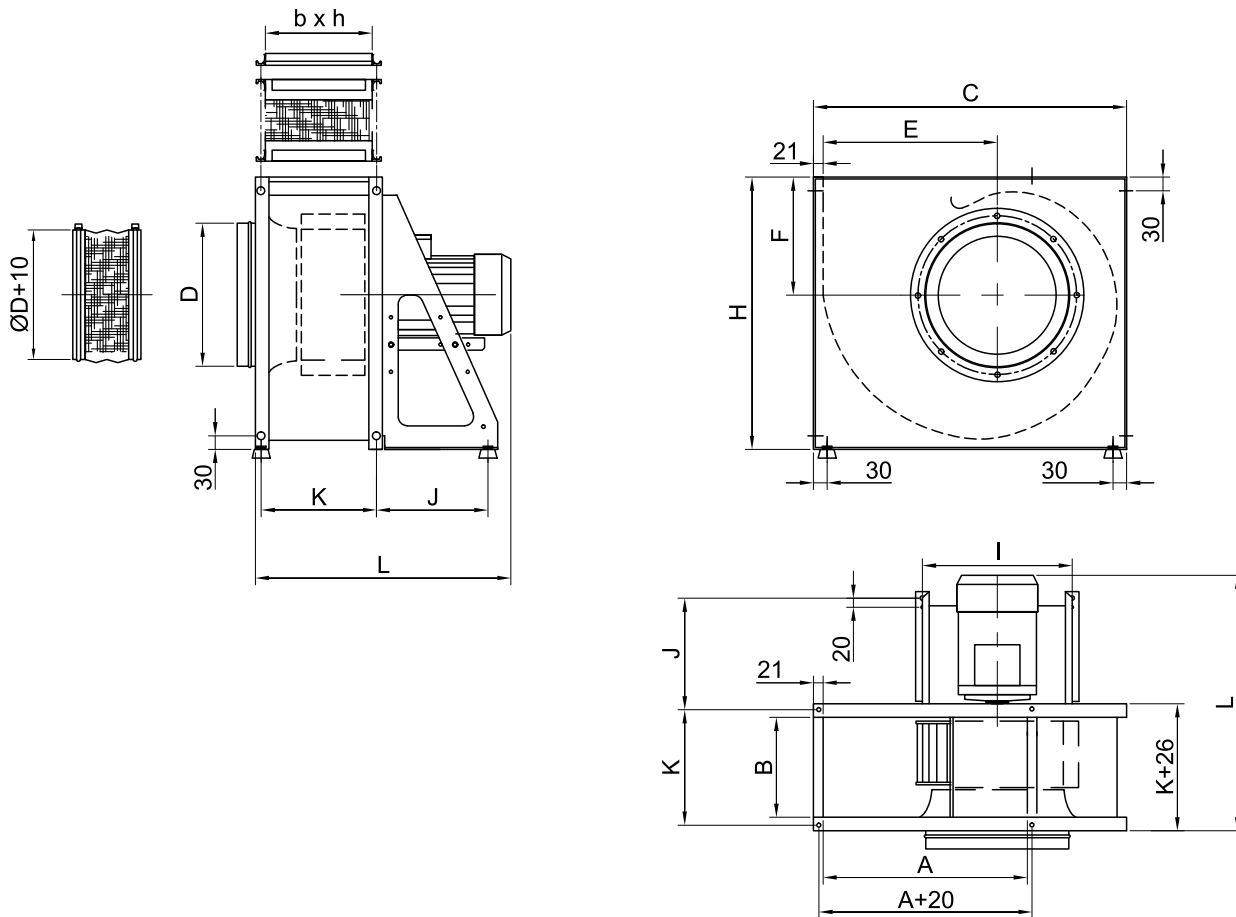
- There are two draining holes (at position 0° and 90°) with plastic stopper.
- Vibration absorbers and inlet adapter are standard.

Class and operating temperature

- Protection class IP 54 Din 40050
- Class "F" insulation VDE 0530
- Ambient temperature: -30°C to +40°C
- Maximum Working temperature: + 60°C

Fans are not appropriate for transportation of explosion-risk substances and corrosive gas.

Overall and joined dimensions



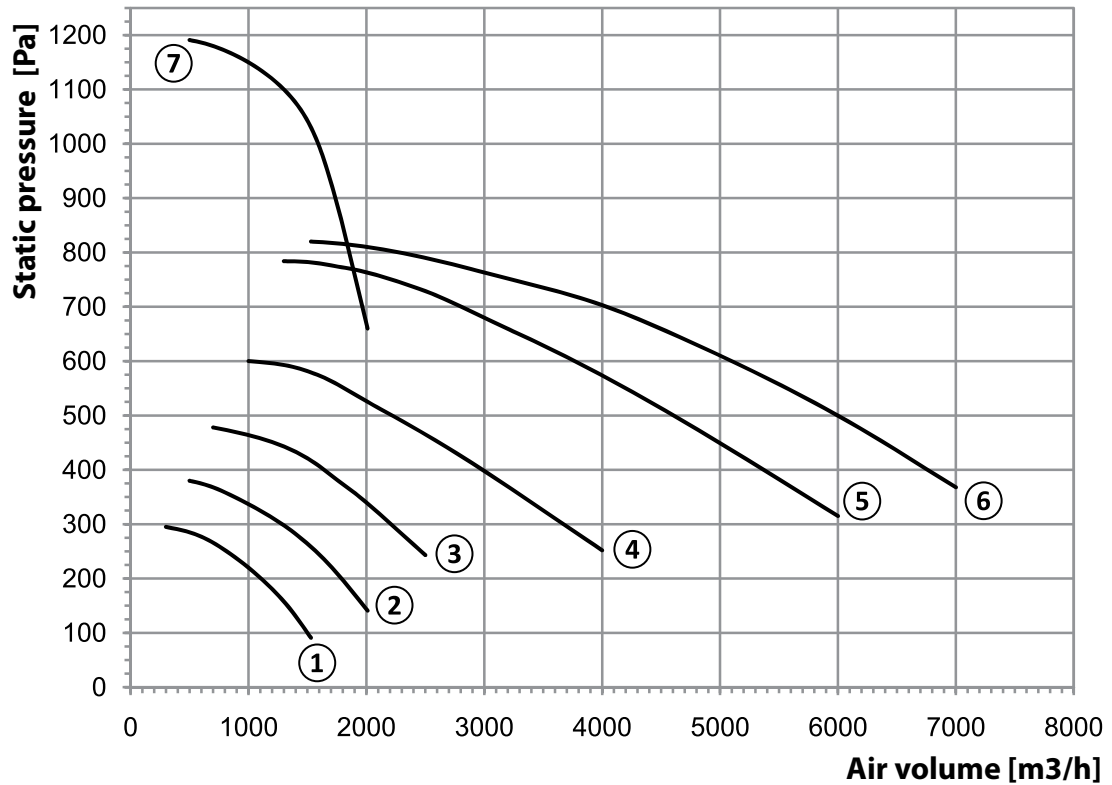
Model	A [mm]	B [mm]	C [mm]	H [mm]	E [mm]	F [mm]	I [mm]	J [mm]	K [mm]	L [mm]	Connections [mm]		
											ØD	b	h
AP* 200/4	250	130	400	350	216	160	242	146	156	390	200	135	250
AP* 225/4	280	145	450	400	243	180	242	156	171	410	225	150	280
AP* 250/4	300	165	495	435	270	195	260	171	191	480	250	170	300
APT 280/4	350	185	550	480	303	210	282	196	211	500	280	190	350
APT 315/4	400	205	610	530	341	235	308	215	239	560	315	220	400
APT 355/4	450	220	690	600	384	260	336	245	254	575	355	235	450
APT 200/2	250	130	400	350	216	160	242	146	156	390	200	135	250

* = M for Single phase motor, * = T for three phase motor

Technical specification

Designation in the Figure	Type - size	Speed [min ⁻¹]	Nominal power [kW]	Nominal current [A]		Weight [kg]
				1/220V	Y/380V	
1	AP* 200/4	1400	0.55	3.5	1.6	16.8
2	AP* 225/4	1400	0.75	4.6	2.1	19.9
3	AP* 250/4	1400	1.50	9.6	3.7	29.8
4	APT 280/4	1400	2.20	-	5.2	33.9
5	APT 315/4	1400	3.00	-	6.8	42.1
6	APT 355/4	1400	4.00	-	9.2	52.3
7	APT 200/2	2800	1.50	-	3.3	21.6

Static pressure [Pa]



Noise pressure level on frequency bands

Fan	Channel	Frequency [Hz]							
		63	125	250	500	1000	2000	4000	8000
AP* 200/4	Lp1	41.8	38.3	40.7	37.9	38.4	36.4	33.0	29.5
	Lp2	77.9	74.3	71.4	67.0	65.4	65.4	63.5	60.6
	Lp3	74.9	72.1	71.8	69.5	68.7	65.1	63.9	62.2
AP* 225/4	Lp1	42.1	41.3	49.3	46.5	49.1	38.4	36.1	29.1
	Lp2	80.7	77.3	74.7	70.4	67.1	66.0	63.5	60.4
	Lp3	77.0	73.8	73.9	70.9	69.5	65.9	66.0	62.9
AP* 250/4	Lp1	43.6	47.6	48.3	48.4	51.0	38.9	37.8	32.0
	Lp2	83.0	79.6	75.8	72.1	69.6	67.2	63.6	60.3
	Lp3	80.5	77.3	76.3	72.8	72.6	69.8	69.7	66.4
APT 280/4	Lp1	47.5	49.0	46.9	43.8	45.5	44.6	44.8	35.9
	Lp2	85.8	83.4	80.1	76.5	73.2	70.8	67.2	62.9
	Lp3	80.5	77.3	76.3	72.8	72.6	69.8	69.7	66.4
APT 315/4	Lp1	49.0	51.1	47.6	46.5	45.7	43.4	42.1	34.0
	Lp2	86.5	84.2	81.0	77.6	74.0	71.4	67.6	62.3
	Lp3	82.2	79.1	76.9	75.1	73.6	71.0	69.5	64.7
APT 355/4	Lp1	51.9	50.7	47.5	48.2	49.6	45.7	46.9	36.5
	Lp2	86.9	84.9	82.1	78.7	74.9	71.7	68.1	62.7
	Lp3	84.8	81.8	78.0	75.5	74.6	72.4	70.2	65.4
APT 200/2	Lp1	42.1	41.3	49.3	46.5	49.1	38.4	36.1	29.1
	Lp2	80.7	77.3	74.7	70.4	67.1	66.0	63.5	60.4
	Lp3	77.0	73.8	73.9	70.9	69.5	65.9	66.0	62.9

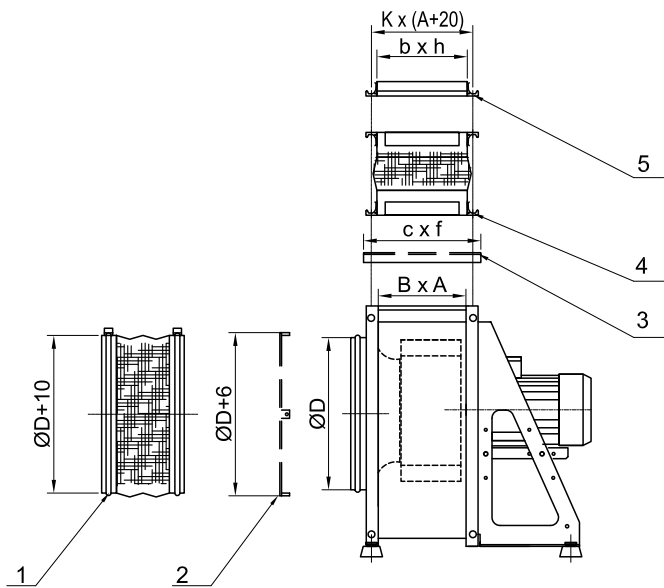
* = M single phase, * = T three phase

(Lp1) – measured at 1.5m, in free field condition

(Lp2) – inlet side

(Lp3) – outlet side

Options and accessories



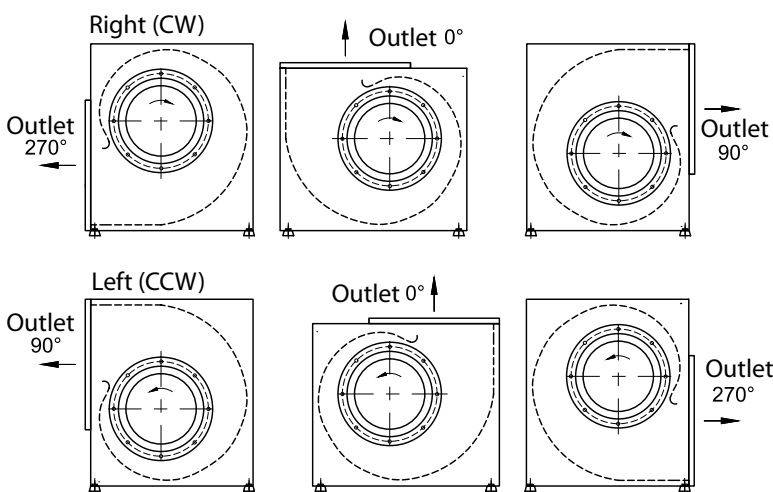
As accessories are available:

For inlet:

- 1. Flexible adapter or
- 2. Guard net

For outlet:

- 3. Guard net or
- 4. Flexible adapter
- 5. Flange



Fan's position is defined by observing from the inlet:

The fan is:

- Right (R) – Clock Wise rotation (CW)
- Left (L) – Counter Clock Wise rotation (CCW)

Note:

- Standard position is 0°.
- Positions 90° or 270° - on request.

Order designation

AP M 280/4 (L)

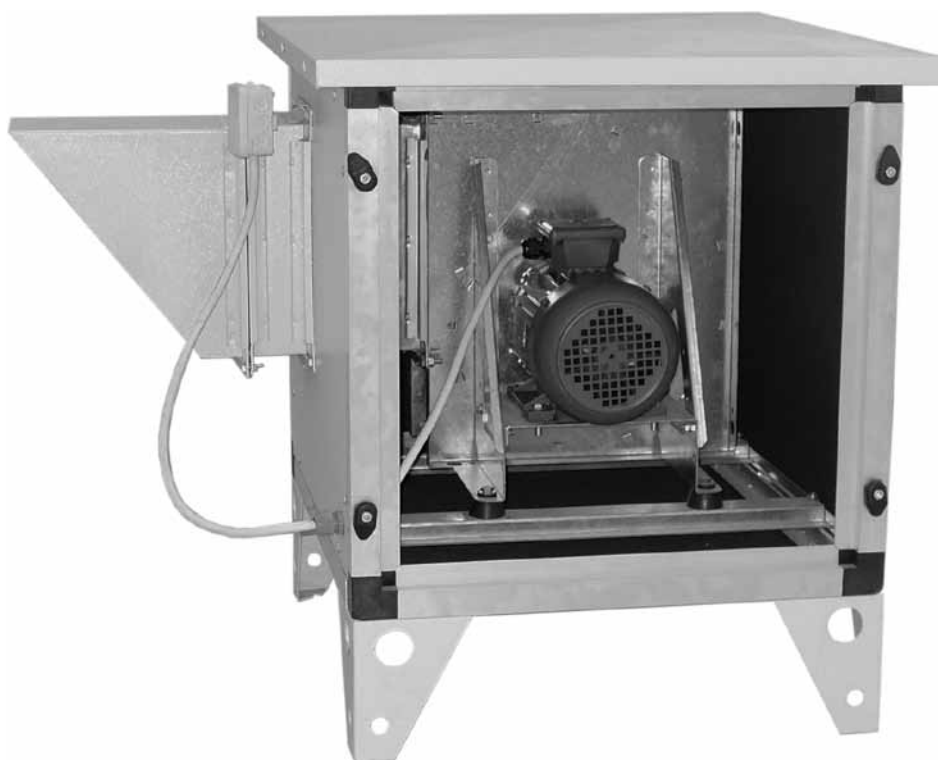
(R) – right
(L) – left

Type-size: 200/4, 225/4, 250/4, 280/4, 315/4, 355/4, 200/2

M – single phase
T – three phases

Centrifugal Fan

AL FAN BOXES FOR DIRECT DRIVEN FORWARD CURVED CENTRIFUGAL FANS TYPE APM/APT



Description

- Fan boxes are designed for transfer of air in non-aggressive and explosion-proof environment.

Construction

- Housing made of aluminium profiles fitted with PVC corners. The acoustic insulated panels mounted in the housing are made of galvanized sheet steel with powder coating and insulation FIREX 10mm combustibility class 0 – BS 476 part 6 or class 1 – BS 476 part 7.
- Fan types APM/APT are assembled in the box through flexible connectors on anti – vibration mounts.

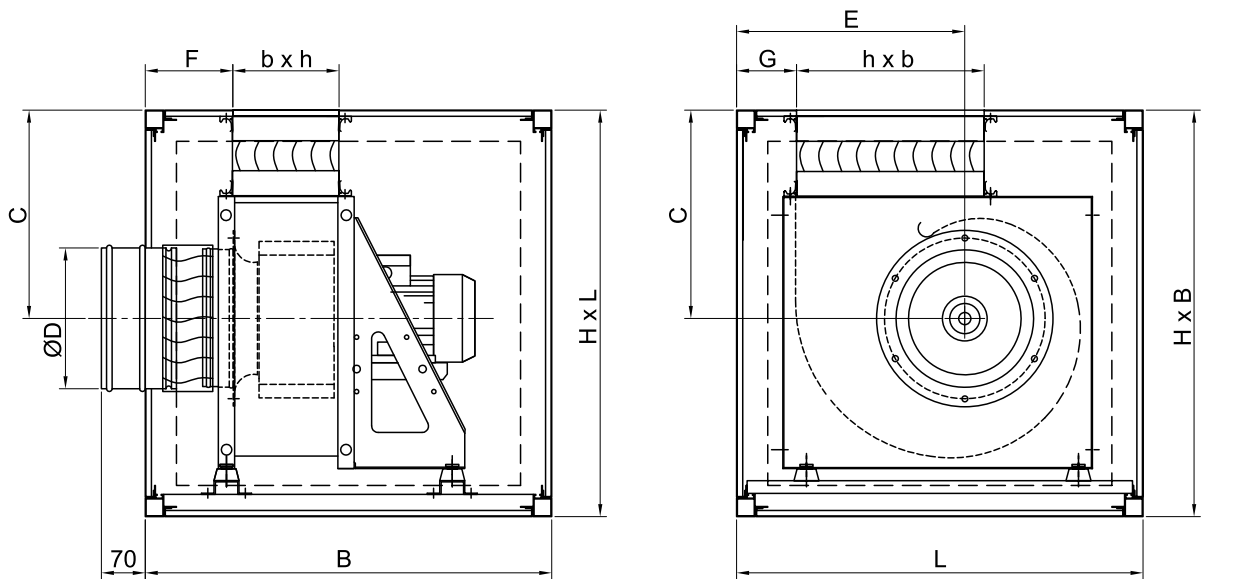
Installation

- Side placed air intake /entrance/, with flange and round flexible connector.
- Fan position 90°, 270° and 0°.
- Standard position is 0°.

Options and accessories

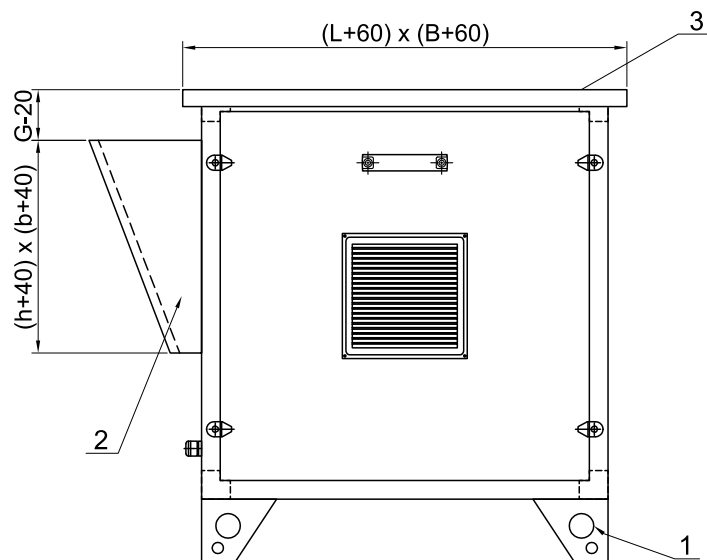
- On request the box could be produced with acoustic insulated panels type "sandwich".
- Position 90°, 270° - on request.
- Mounting steps with high 100mm or 150mm – 4pcs.
- Protection guard for direct discharge of air.
- Roof cover for outdoor installation.
- On request the "entrance" can be rectangular with dimension min DxD.

Overall and joined dimensions



Accessories for AL box:

1. Mounting steps with height 100mm or 150mm – 4pcs.
2. Protection guard for direct discharge of air.
3. Roof cover for outdoor installation.
4. On request the "entrance" can be rectangular with dimension min $D \times D$.



Model	B [mm]	H [mm]	L [mm]	ØD [mm]	C [mm]	E [mm]	F [mm]	G [mm]	b [mm]	h [mm]
AP* 200/4	600	550	550	200	285	312	140	96	130	250
AP* 225/4	600	600	600	225	305	340	140	96	150	280
AP* 250/4	650	650	650	250	333	368	140	96	170	300
APT 280/4	700	700	700	280	355	400	160	96	190	350
APT 315/4	760	760	760	315	390	437	160	96	220	400
APT 355/4	880	880	880	355	445	500	160	116	235	450
APT 200/2	600	550	550	200	285	312	140	96	130	250

* = M for single phase motor, * = T for three phase motor

Designation order

Box AL - APT - 280/4 - 90°

Fan position: 0°, 90°, 270°

Size

Fan model: APM or APT

Construction type: AL