

CK – KITCHEN HOODS



Description

- Designed for filtration of hot air and oil fumes, separated in case of thermal treatment of nutritive products.
- Very suitable for kitchens in restaurants.

Models

- **CK-A** – wall type with possibility for exhaustion of polluted air and supply of fresh air.
- **CK-B** – wall type with possibility for extraction of polluted air.
- **CK-O** – island type – standard version is with possibility for exhaustion of polluted air and supply of fresh air. Upon customer's request can be produced modification only for extraction of polluted air.
- **CK-S*** (Show cooking) – island or wall type with improved design. Standard version is for extraction of polluted air and for some models there is possibility for supply of fresh air and incorporation of lights. Filter cassettes for this series are with different dimensions.

Construction

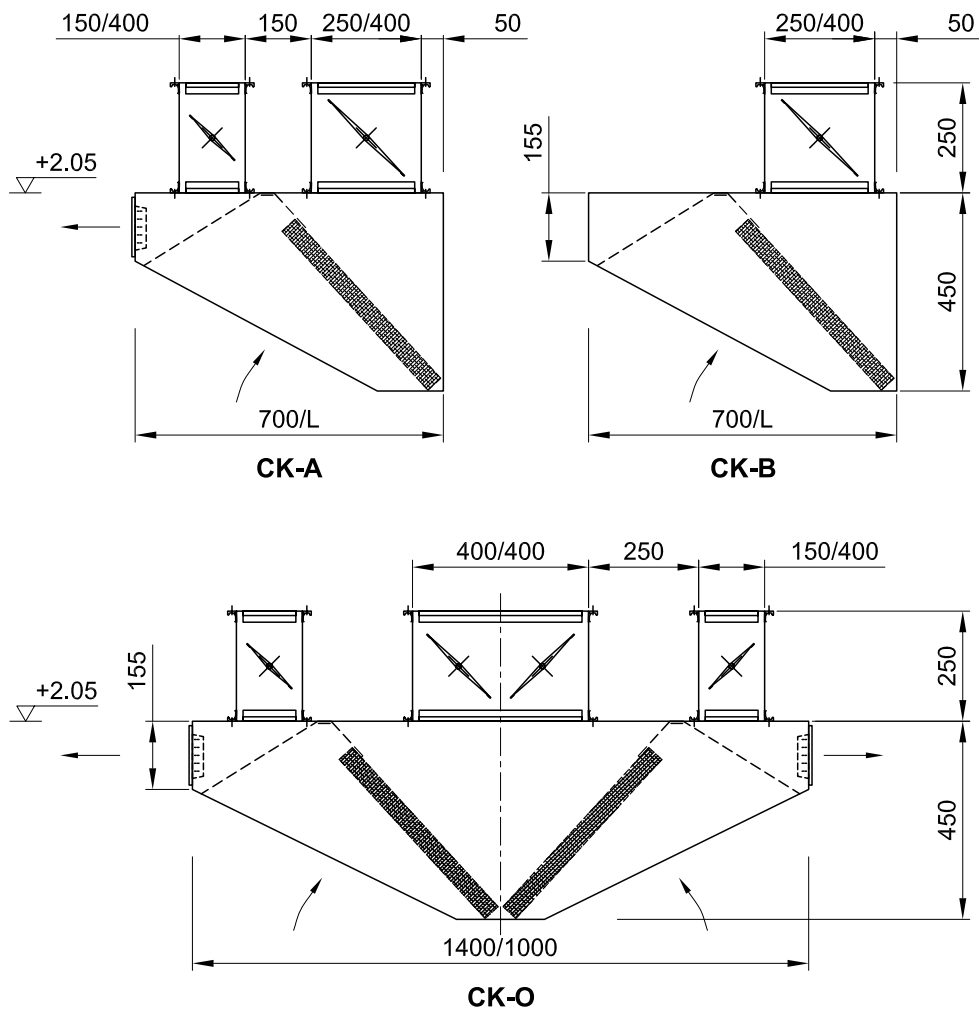
- Produced in two versions:
 - Models CK-A, CK-B and CK-O made of galvanized metal sheets with electrostatic painting in white color (RAL 9010);
 - Series CK-S* - stainless metal sheet INOX 304 (mat or polished).
- Completed with metal filters – look at section 02.03:
 - AFC-MM – wire mesh filter cassettes;
 - AFC-ML – labyrinth filter cassettes;
 - AFC-MC – combined filter cassettes.
- As standard equipment for kitchen hoods are produced regulation dampers with manual control.

Installation

- Joined to the air duct system by a flange type connection.
- Wall installation with anchor bolts (wall plugs) or hanging to ceiling with studs, rope or chain.

CK-A, CK-B and CK-O – wall and island type kitchen hoods

Overall and joined dimensions



Type	Overall dimensions [mm]			Joined dimensions [mm]		Filters number
	Length, L	Depth	Height	Extraction	Supply	
CK-A	1000	700	450+250	250/400	150/400	2
	1500	700	450+250	250/400	150/400	3
CK-B	1000	700	450+250	250/400	-	2
	1500	700	450+250	250/400	-	3
CK-O	1000	1400	450+250	400/400	2x150/400	4

Pressure drop ΔP [Pa] at length L=1000 mm

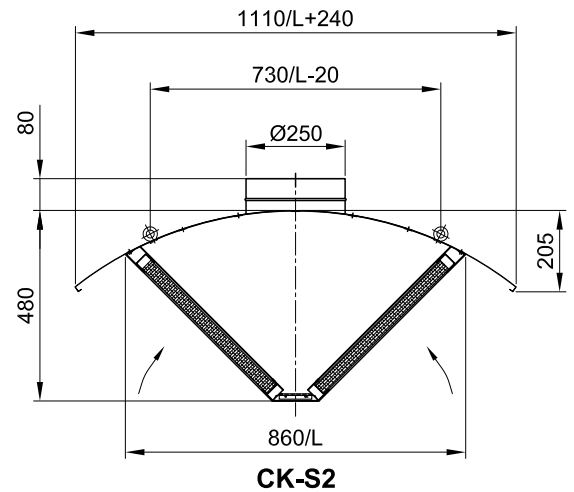
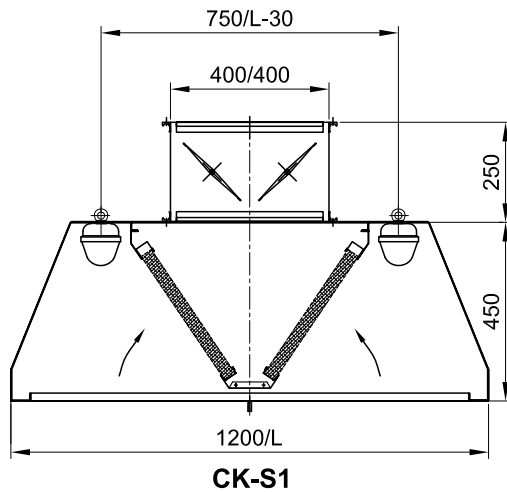
Filter type	Air flow [m ³ /h]	CK-A or CK-B				CK-O		
		600	800	1000	1200	1600	2000	2400
AFC-MM wire net filter		17	24	31	43	25	32	45
AFC-ML labyrinth type filter		24	33	46	55	34	48	58
AFC-MC combined cassette		31	40	58	72	41	59	75

Note:

- Nominal air volume and ΔP for kitchen hoods are shown in shadowed columns.
- Upon customer's request could be produced kitchen hoods with different dimensions, electrostatic painting with different RAL color or from stainless metal sheets INOX 304.

CK-S1, CK-S2 – island type, type “Show cooking”

Overall and joined dimensions



- Type – island type with possibility for extraction
- Material – INOX 304
- Completed with three types filter cassettes with dimensions 500x375x30 mm
- Possibility for incorporation of lights – 220V

- Type – island type with possibility for extraction
- Material – INOX 304
- Completed with three types filter cassettes with dimensions 500x445x30 mm

Type	Overall dimensions [mm]			Joining opening, extraction [mm]	Filters number
	Length, L	Depth	Height		
CK-S1	1000	1200	450+250	400/400	4
	1500	1200	450+250	400/400	6
	2000	1200	450+250	2x400/400	8
CK-S2	1000	1110	480+80	Ø250	4
	2000	1110	480+80	2xØ250	8

Pressure drop ΔP [Pa] at length L=1000 mm

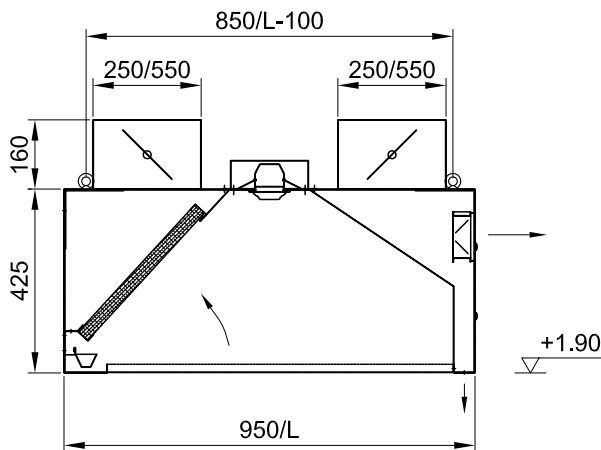
Type of kitchen hood	Air flow [m³/h]	CK-S1			CK-S2		
		1200	1600	2000	1200	1600	2000
AFC-MM wire mesh filter		21	29	37	20	27	35
AFC-ML labyrinth filter		31	42	56	29	39	57
AFC-MC combined cassette		38	48	69	36	45	65

Note:

- Nominal air volume and ΔP for kitchen hoods are shown in the shadowed column.
- Upon customer’s request can be produced kitchen hoods with different dimensions.

CK-S3 – kitchen hood for wall installation, type “Show cooking”

Overall and joined dimensions



- Wall type with possibility for extraction of polluted air and supply of fresh air in two places in working zone.
- Material – INOX 304
- Completed with three types filter cassettes with dimensions 500x375x30 mm
- Possibility for incorporation of lights – 220V

Type	Overall dimensions [mm]			Joined openings [mm]		Filter number
	Length, L	Depth	Height	Extraction	Supply	
CK-S3	1000	950	425+160	200/500	200/500	2
	1500	950	425+160	200/500	200/500	3

Pressure drop ΔP [Pa] at length L=1000 mm

Filter type	Air flow [m ³ /h]	600	800	1000	1200
	AFC-MM wire mesh filter		19	25	36
AFC-ML labyrinth filter		26	36	49	63
AFC-MC combined cassette		41	48	61	79

Note:

- Nominal air volume and ΔP for kitchen hoods are shown in the shadowed column.
- Upon customer request could be produced kitchen hoods with different dimensions.

Order designation

CK - B 1000 + MM

- Filter cassettes type
MM – wire mesh cassette
ML – labyrinth cassette
MC – combined cassette
- Kitchen hood length: 1000, 1500, 2000
- Model: A, B, O, S1, S2 or S3
- Kitchen hood model