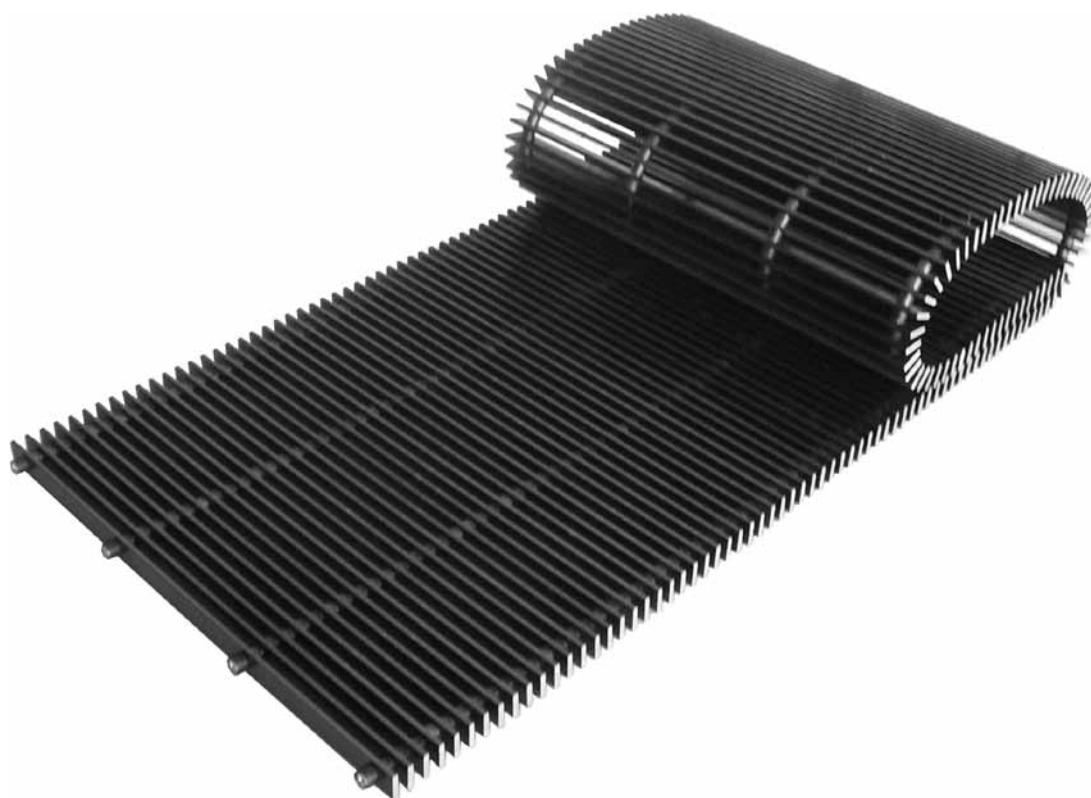


RFG – ROLL-UP FLOOR GRILLE



Description

- Designed for uniform air supply where floor type air charge is required.
- Suitable for floor air supply in swimming pools.
- Construction allows bearing a humans body weight.

Construction

- Diffusers are constructed of anodized aluminium profiles.
- Free area – 70%
- Supporting frame made of anodized aluminium Z-profiles.
- Standard finished in two colours: Aluminium and Bronze.

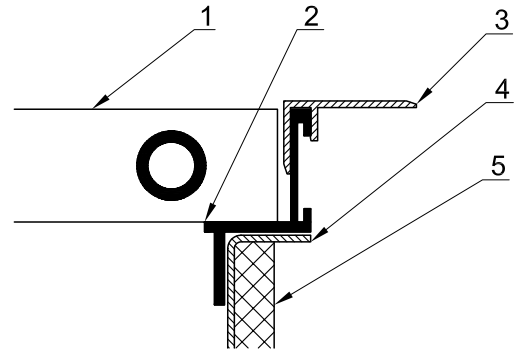
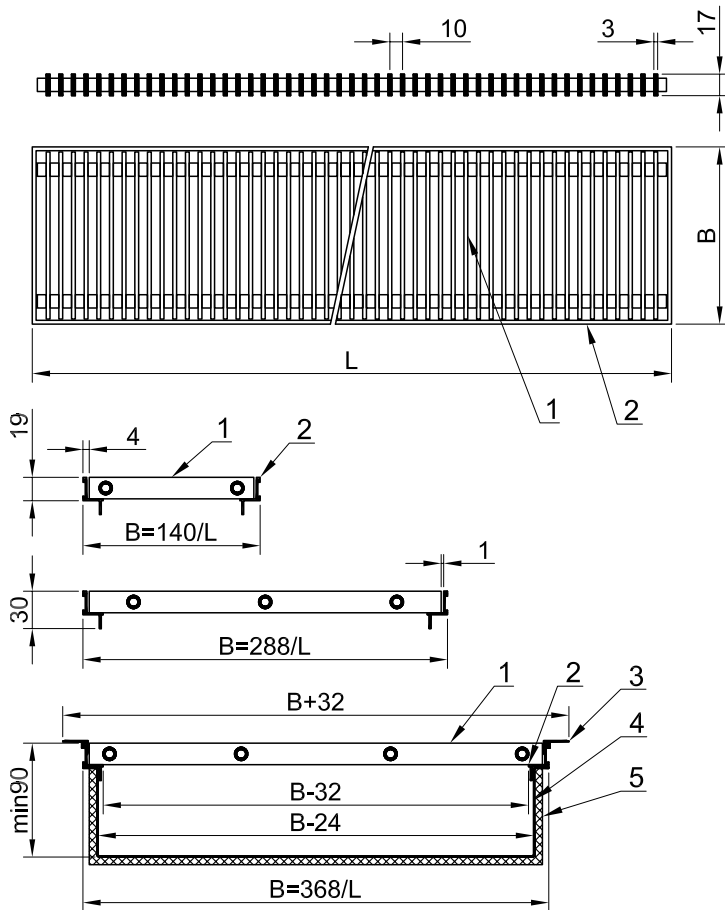
Installation

- Installation on the floor with plenum box. It is necessary to provide possibility for cleaning and draining.
- It must provide a thermal joint between the grille and the flooring, which is filled with plastic materials.
- If the gap between the grille and wooden flooring is bigger, is desirable to use decorative aluminium profile.

Accessories

- Connection box made of galvanized steel with additional protection against corrosion - powder coating in RAL 9005.
- External insulation of plenum box – synthetic rubber, minimum thickness of 6mm.
- Installation kit: plates and steps for leveling.
- Decorative aluminium profile with the colour of the grille.

Overall and joined dimensions



Legend:

- 1. Roll-up floor grille
- 2. Supporting frame
- 3. Decorative profile
- 4. Plenum box
- 5. Insulation

Note:

- Dimensions upon customer request:
 - Width: $140 < B < 370$ mm
 - Length: $300 < L < 2000$ mm
- With greater dimensions is used modular principle with general framework.
- Accessories – upon request.

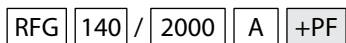
Pressure drop ΔP [Pa] and noise levels L [dB(A)]

W_0 [m/s]	1.0	1.5	2.0	2.5
ΔP [Pa]	-	5	8	11
L [dB(A)]	-	-	25	31

Where:

W_0 – velocity in the free cross section.

Order designation



- Decorative profile
- A – colour Aluminum
B – colour Bronze
- Joined width (B): $500 \div 2000$ mm
- Joined width (L): $140 \div 370$ mm
- Roll-up floor grille

- Main parameters
- Optional parameters